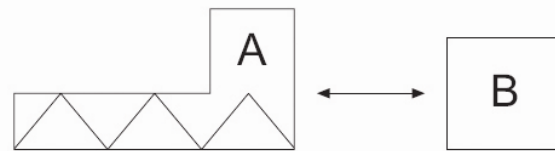


Typical setup for a dosing system with a single screw station.

- A Twin screw dosing station
B Motor control

Component A is described below.



Brief Description




Colortronic's volumetric twin screw feeder CT22 is ideally suited for dosing powders, pellets, granulates, regrinds, fibers and flakes in continuous and batching processes.

CT22 modular design allows for flexibility to meet changes in process requirements. Volumetric feed rates range 0.4-190 l/h (0.014-6.7 cu.ft/h). The horizontal agitator constantly keeps material in motion, thus eliminating bridging and maintaining consistent screw fill. All material contact surfaces are manufactured from corrosion resistant stainless steel.

Colortronic's Voludrive controller offers the operator full access to all feeder parameters through an icon driven control interface



Performance

		C 	F 	S 
		Twin concave Profile Screw	Twin auger screw	Twin spiral screw
Gear	Speed min ⁻¹	Ø 22x20 l/h	Ø 22x20 l/h	Ø 14x20 l/h
7:1	31-586	8-152	10-193	3-63
15:1	15-273	4-71	5-90	2-29
28:1	8-146	2-38	3-48	1-16
Gear	Speed min ⁻¹	Ø 22x11 l/h	Ø 20x11 l/h	Ø 14x11 l/h
7:1	31-586	2-45	4-68	2-33
15:1	15-273	1-21	2-32	1-15
28:1	8-146	1-11	1-17	0.4-8

The given throughput data refer to approximate values and is based on measurements with PS-reference granule, free flowing, with a bulk density of 0.6 kgs/l. The performance data for other materials may be different and is subject to individual testing.

Optional Equipment

Accessories/Options

- Hopper extension modules
- Dust tight filters
- Vertical outlet tubes
- Extended screws 100/150/200 mm
- Frequency speed control for AC Motors

Installations

- Stand alone volumetric feeder or integrated with other feeding devices
- Continuous or batch feeding
- Gravimetric control integration

Technical Information

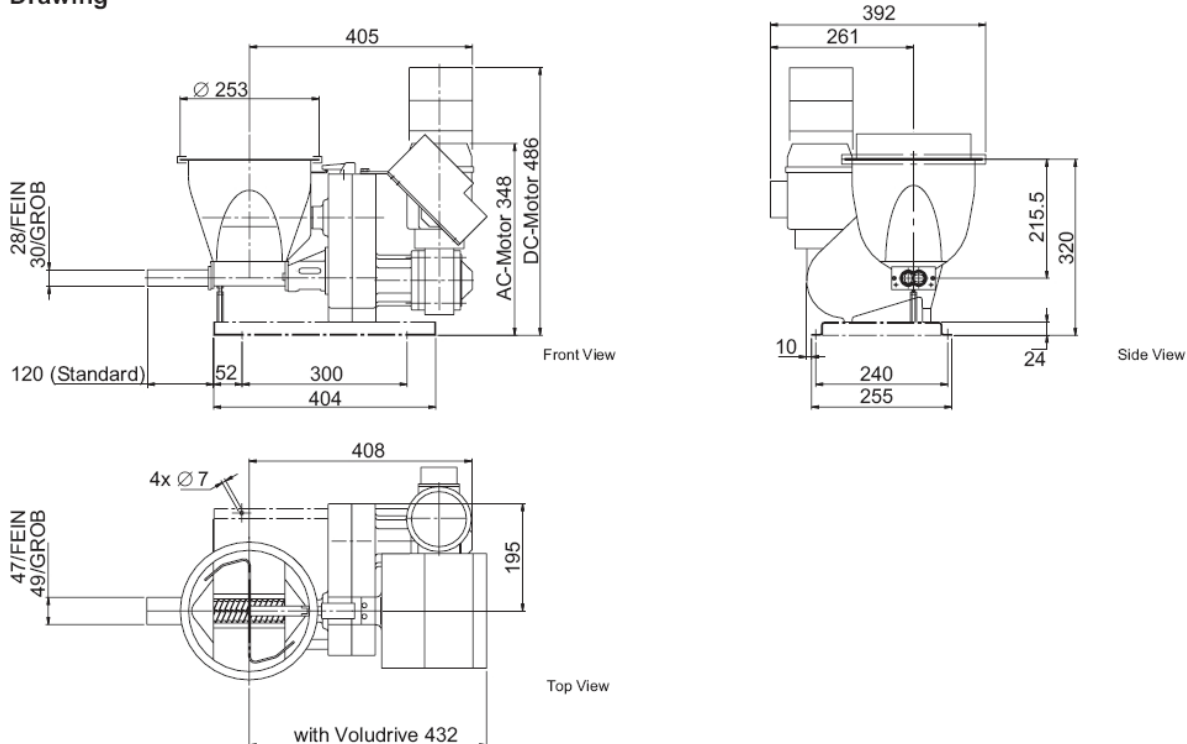
DC Motor-Drive

- Motor Size: 0.37 kW
- Voltage: 180 VDC
- Maximum Speed: 1800 RPM
- Motor Class: IP54
- Speed Reducers: 7:1/5:1/28:1

AC Motor-Drive (Option)

- Motor size: 0.375 kW
- Voltage: 230-460/3/50-60 Hz
- Maximum Speed at 50 Hz: 1400 RPM
- Maximum Speed at 60 Hz: 1680 RPM
- Motor Class: IP54
- Speed Reducers: 7:1/15:1/28:1
- Weight: 75 lbs (35 kgs)
- Feed hopper volume: 5.8 Liter (0.2 cu.ft)

Drawing



www.colortronicna.com

Corporate Headquarters:

Colortronic North America, Inc.
 4100 Market Place
 Flint, MI 48507
 Tel. 810-720-7300
 Fax. 810-720-2598
colortronicweb@corpemail.com

Colortronic Systems AG
 Hunzenschwil, Switzerland
 Tel: +41 62 689 25 25
 Fax: +41 62 689 25 26
info@colortronic.ch

Colortronic Systems GmbH
 Friedrichsdorf, Germany
 Tel: +49 61 75 7 92 167
 Fax: +49 61 75 7 92 284
ctsystems@colortronic.de