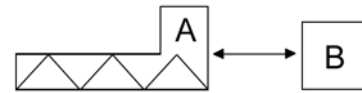


Typical Application of a Twin Screw Feeder in a Dosing System.

A Twin Screw Feeder
B Motor Control



Component A is described below

Colortronic CT65 Volumetric Twin Screw Feeder

Colortronic's volumetric single screw feeder CT65 is ideally suited for dosing powders, pellets, granulates, regrinds, fibers, and flakes in continuous and batching processes. The compact modular design gives the operator the flexibility to meet changing process requirements.

Volumetric feed rates range 5-400 cubic feet per hour. The horizontal agitator constantly keeps material in motion, thus eliminating bridging and maintaining consistent screw fill. All material contact surfaces are manufactured from corrosion resistant stainless steel. Colortronic's Voludrive controller offers the operator full access to all feeder parameters through an icon driven control interface.

Standard Features

- Volumetric twin screw feeder with horizontal discharge
- Feed hopper with horizontal agitator, including v-clamp and seal to mount accessories
- Voludrive controller for DC motors to 750 W
- Operating voltage: 230/1/50-60 Hz
- Compact construction
- Stainless steel material contact surfaces
- Material seals manufactured from Teflon and silicone
- Easy removal and cleaning of components with unique fastener system
- Maintenance free gears eliminate down time
- Simple installation with base plate



Optional Features

- Hopper extension modules
- Dust tight filters
- Vertical outlet tubes
- Extended screws 100, 150 and 200 mm
- Frequency speed control for AC motors
- Stand alone volumetric feeder or integrated with other feeding devices
- Continuous or batch feeding
- Gravimetric control integration

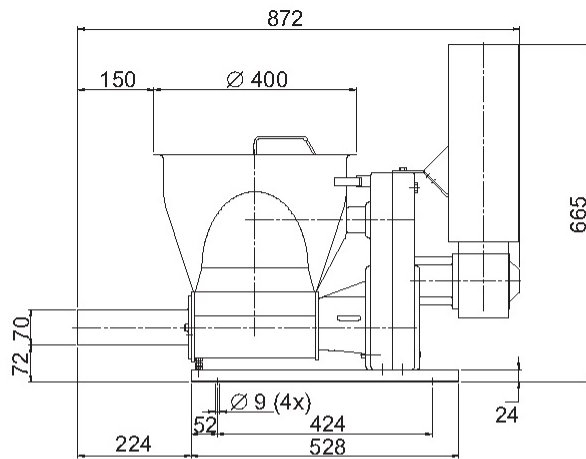
Specifications

DC Motor

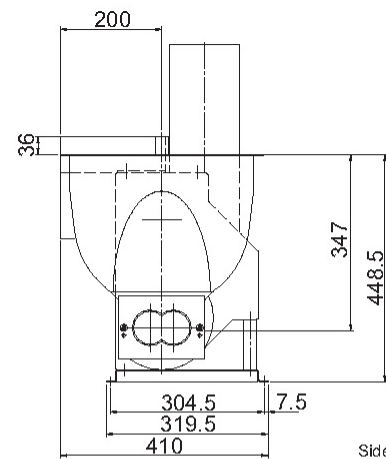
Motor Size:	0.75 kW
Voltage:	180 VDC
Max Speed at 60 Hz:	1,800 RPM
Motor Class:	IP 54
Speed Reducers:	7:1 / 15:1

AC Motor

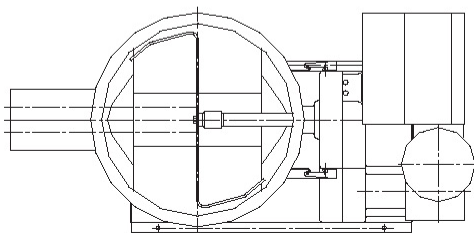
Motor Size:	0.75 kW
Voltage:	230-460/3/50-60 Hz
Max Speed at 60 Hz:	1,750 RPM
Motor Class:	IP 54
Speed Reducers:	7:1 / 15:1



Front View



Side View



Top View

www.colortronicna.com

Corporate Headquarters:

Colortronic North America, Inc.
 4100 Market Place
 Flint, MI 48507
 PH: 810-720-7300
 FX: 810-720-2598
colortronicweb@corpemail.com

Dimensions and data not binding. Copyright by Colortronic 2007.