

CS Series vacuum receivers from Colortronic feature modular stainless steel design, offering significant operational advantages. The modular design allows these units to be economically reconfigured to accommodate future production requirements. Pyrex™ sight glass on CSI models allow for easy visual monitoring of material flow.

CSR/CSI Series vacuum receivers are used at each loading point in a central vacuum conveying system. **CSR 03 and CSR 06 receivers are not to be used on single line “Y” systems and CSR 11 receivers are not recommended.** They should be used from beside the machine or with dedicated lines.

**Standard Features**

- Brushed stainless steel construction
- Material demand/level sensor
- Internal check valve on material inlet for 1.5”, 2.0”, 2.5”, and 3.0” (not 03 or 06 models)
- Removable aluminum inlets and outlets on most models (2”- 4”)
- 4” Sch. 5 and larger inlets and outlets on CSR 85/170 receivers are welded in place
- CSR receivers include counter-weighted flapper and elastomer throat gasket
- Stainless steel filter screen (10 mesh) (CSR 03 and CSR 06-45), stainless steel pellet deflector (CSR 85/170)
- 90° vacuum outlets available on CSR 85/170
- Sight glass models feature Pyrex™ sight glass, 10 mesh stainless steel screen, and square flange. CSI 11 includes check valve for single-line Y applications

**Optional Remote Proportioning Package**

- Includes proportioning valve, 2 aluminum pick-up wands, 2 x 10’ vinyl flex hoses, 4 hose clamps, and controller assembly
- 1.5”, 2.0”, 2.5” OD inlet/outlet
- Hopper, floor stand, or wall mounting
- 115/1/60, 230/1/60, or 24 VDC supply voltage
- 115/1/60 or 24 VDC control voltage
- For 1.75” and 2.25” OD uses, use aluminum transitions/couplers (quote separately)



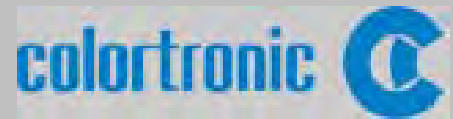
**CSR Series Vacuum Receivers**



**CSI Series Vacuum Receiver**



**CPV Remote Proportioning Valve**



**Optional Features**

- Volume-fill sensor, 24 VDC or 115 VAC control voltage (not available on CSR 03)
- Stainless steel 20 mesh screen for micro-pellet applications
- OptiView riser assembly, 150° F ambient maximum temperature (not available on CSR 85/170)
- Machine-mount adapter for OptiView (or aluminum riser), with square mounting flange (not available on CSR 85/710)
- Aluminum riser, flange mount only (not available on CSR 03)
- Silo-mount riser with gasketed, non-vented access door, part no. A0566986 (CSR 85/170 only)
- Aluminum riser with vented access door, part no. A0566987 (CSR 85/170 only)
- High temperature (400° F) silicone discharge throat gasket (not available on CSR 03)
- White neoprene discharge throat gasket, 180° F max. (not available on CSR 03)
- 90° vacuum outlets (CSR85/170 only)
- Adapter to fit TF/VF mounting hole, (18" dia. To 15" dia. BC, part no. A0569579 (CSR 85/170)
- Polyester cloth filter in lieu of standard screen/deflector

**Specifications**

Model	Receiver capacity, cu. ft. (l)	Receiver capacity, lbs. (kg)	Shipping weight, lbs. (kg)	Standard inlet/outlet sizes	Sight glass capacity, cu. ft. (l)	
CSR03	0.1 (2.8)	3.0 (1.5)	29 (13)	1.5 (38)	N/A	N/A
CSR06	0.2 (5.6)	6.0 (3.1)	31 (14)	1.5, 2.0 (38, 51)	N/A	N/A
CSR11	0.4 (11.3)	12.0 (6.3)	33 (15)	1.5, 2.0, 2.5 <sup>1</sup> (38, 51, 64 <sup>1</sup> )	N/A	N/A
CSR23	0.8 (22)	25 (12.7)	40 (18)	2.0, 2.5, 3.0 (51, 64, 76)	N/A	N/A
CSR45	1.6 (45)	50 (25.4)	43 (20)	2.0, 2.5, 3.0, 3.5 <sup>2</sup> (51, 64, 76, 89 <sup>2</sup> )	N/A	N/A
CSR85	3.0 (85)	100 (45)	75 (34)	2.5, 3.0, 3.5, 4.0, 4.5 (64, 76, 89, 101, 114)	N/A	N/A
CSR170	6.0 (170)	200 (90)	95 (43)	2.5, 3.0, 3.5, 4.0, 4.5, 5 Sch. 10 (64, 76, 89, 101, 114, 143)	N/A	N/A

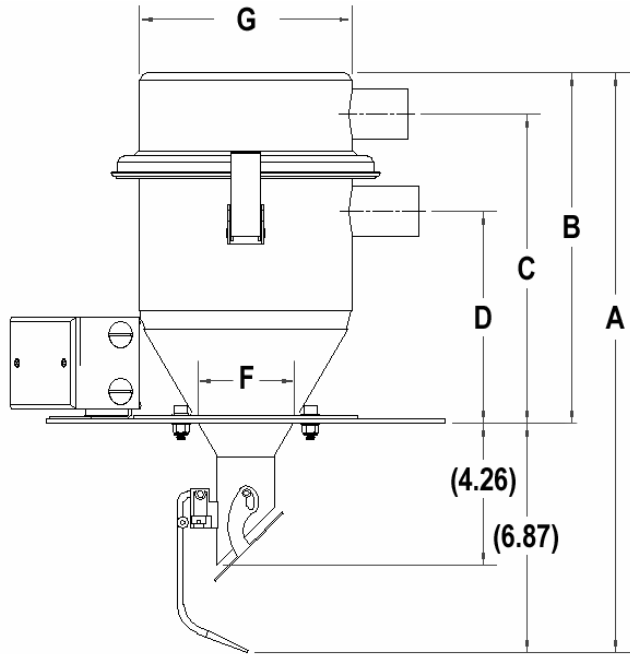
<sup>1</sup> includes 2.5" to 2" transition on inlet/outlet and 2" check valve on unit

<sup>2</sup> includes 3.5" to 3" transition on inlet/outlet and 3" check valve on unit

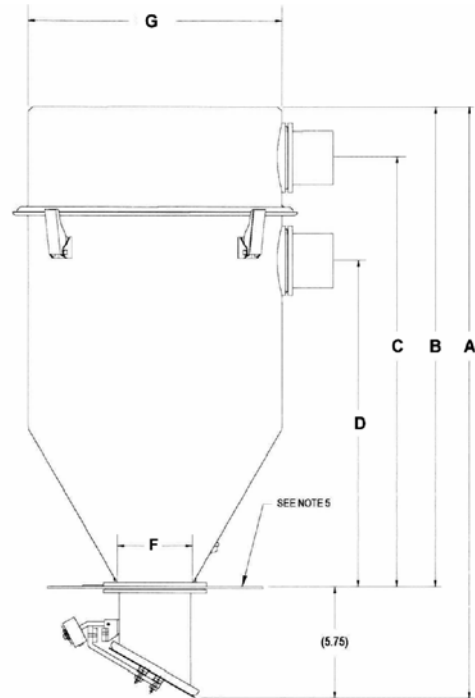
Model	Receiver capacity, cu. ft. (l)	Receiver capacity, lbs. (kg)	Shipping weight, lbs. (kg)	Standard inlet/outlet sizes	Sight glass capacity, cu. ft. (l)	
CSI01	0.028 (0.79)	1 (.45)	15 (7)	1.5 (38)	0.01 (0.28)	0.34 (0.15)
CSI03	0.1 (3)	3.0 (1.5)	29 (12)	1.5 (38)	0.02 (0.57)	0.68 (0.31)
CSI06	0.2 (6)	6.0 (3.1)	47 (22)	1.5, 2.0 (38, 51)	0.09 (2.55)	3.25 (1.48)
CSI11	0.4 (11)	12.0 (6.3)	49 (23)	1.5, 2.0, 2.5 <sup>1</sup> (38, 51, 64 <sup>1</sup> )	0.09 (2.55)	3.25 (1.48)

<sup>1</sup> includes 2.5" to 2" transition on inlet/outlet and 2" check valve on unit

**Dimensions**



**CSR 03 Model**



**CSR 45 Model**

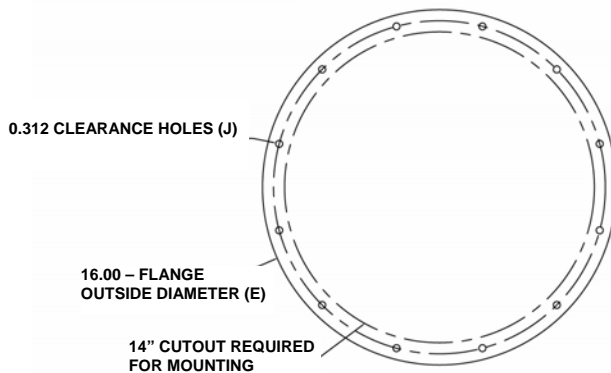
**CSR Dimensions, in. (cm)**

Model	A	B	C	D	E	F	G	H <sup>1</sup>	J <sup>2</sup>
CSR03	14.875 (38)	10.625 (27)	9.375 (24)	6.38 (16)	12 (31)	1.75 (4)	6.375 (16)	5.5 (14)	11 (28)
CSR06	16.75 (43)	11.5 (29)	9.50 (24)	5.5 (14)	12 (31)	4 (10)	9.125 (23)	N/A	11 (28)
CSR11	22.375 (57)	17.5 (45)	13.50 (34)	11.5 (29)	12 (31)	4 (10)	9.125 (23)	N/A	11 (28)
CSR23	26 (66)	20.125 (51)	17.625 (45)	11.625 (30)	12 (31)	4 (10)	14.125 (36)	N/A	11 (28)
CSR45	32.25 (82)	26.375 (67)	23.875 (61)	18.125 (46)	12 (31)	4 (10)	14.125 (36)	N/A	11 (28)
CSR85	46.56 (119)	39.21 (100)	N/A	25.75 (66)	16 (41)	6 (15)	20 (51)	N/A	15 (38)
CSR170	62.56 (159)	55.21 (140)	N/A	41.75 (106)	16 (41)	6 (15)	20 (51)	N/A	15 (38)

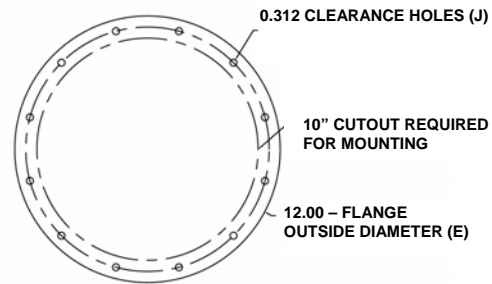
<sup>1</sup> .312" (8mm) dia. Holes; 2 places equally spaced

<sup>2</sup> 0.312" (8mm) dia. Holes; 12 places equally spaced

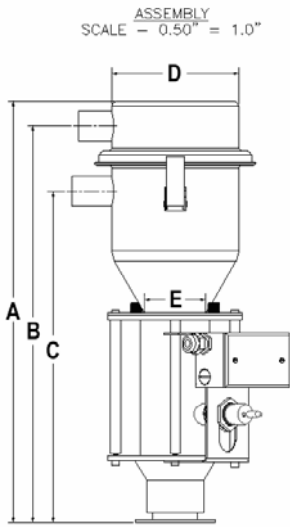
**Mounting Pattern- Flange Mount Configuration**



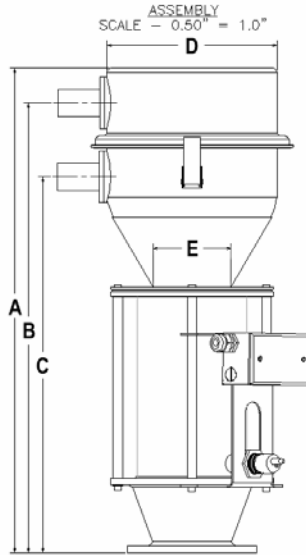
**CSR 85/170**



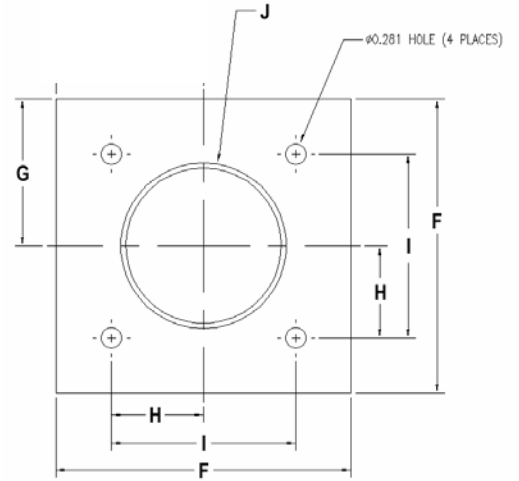
**CSR 03/45**



CSI 03 Model



CSI 06 Model



CSI Mounting Flange

**CSI Dimensions, in. (cm)**

Model	A	B	C	D	E	F	G	H	I <sup>3</sup>	J
CSI01	17.50 (44)	16.125 (42)	12.50 (32)	6.375 (16)	1.75 (4)	4 (10)	2 (5)	1.25 (3)	2.5 (6)	2 (5)
CSI03	21.25 (54)	20 (51)	16.625 (42)	6.375 (16)	1.74 (4)	4 (10)	2 (5)	1.25 (3)	2.5 (6)	2 (5)
CSI06	25.625 (65)	23.75 (60)	19.5 (50)	9.125 (23)	3 (8)	7 (18)	3.5 (9)	2.75 (7)	5.5 (14)	3 (8)
CSI11	31.5 (80)	29.625 (75)	25.5 (65)	9.125 (23)	3 (8)	7 (18)	3.5 (9)	2.75 (7)	5.5 (14)	3 (8)

<sup>3</sup> 9/32" (7.14 mm) dia. Holes; 4 places equally spaced



---

FX: 810-720-2598  
colortronicweb@corpemail.com

Dimensions and data not binding. Copyright by Colortronic 2004.