
Brief Description

Application:

The Colortronic CPD vacuum pump uses a positive displacement blower and is intended to convey pellets and regrind over long distances. It features continuous conveying with atmospheric relief for high conveying rates, vacuum gauge on pump for monitoring vacuum level, and high vacuum relieve for safe operation. Available in 20-30 hp models.

Standard Features:

- Positive displacement blower
- 460/3/60 totally-enclosed fan-cooled (TEFC) motor
- Atmospheric vent valve
- Adjustable motor mount
- NEMA-12 junction box with starter mounted on unit
- Vacuum gauge
- Mechanical high vacuum relief valve
- High vacuum safety switch
- Premium discharge silencer

Optional Features

- Sound enclosure
- Fused disconnect
- NEMA 4 junction box
- 208/3/60, 230/3/60, 380/3/50, 415/3/50, 575/3/60 voltage
- Re-sheave power unit
- Self-cleaning cyclone/cartridge combination filter is also available with optional compressed air cleaning
- Retrofit junction box to convert old style or other manufacturers' vacuum power units to use new CLC controllers. Specify HP and voltage when ordering.



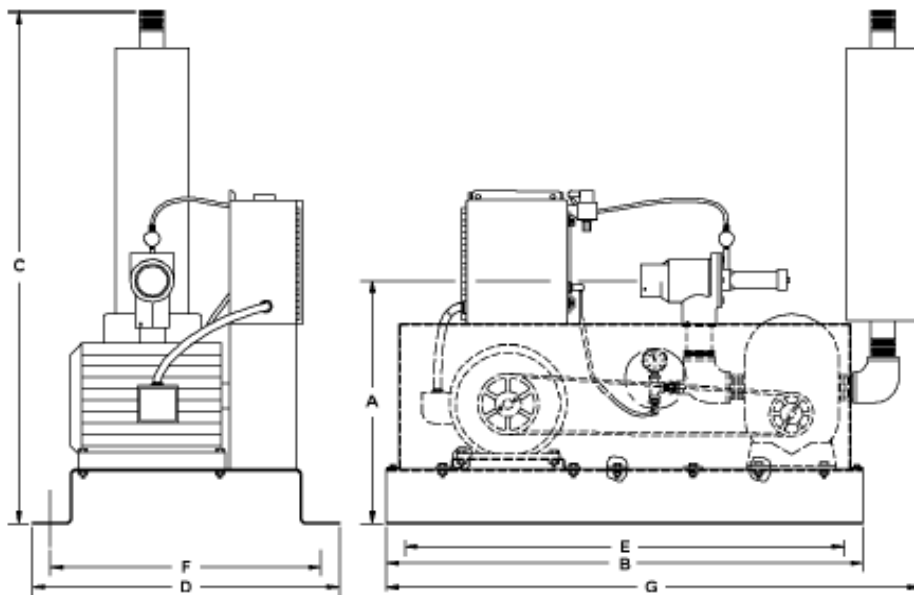
CPD20 Shown with Optional Fused Disconnect

Technical Information
Specifications

Model	HP (kW)	Line size OD, in. (mm)	Air flow, cfm (cmh)	Amp draw 230 V	Amp draw 460 V	Amp draw 575 V	Shipping weight, lbs. (kg)
CPD20	20 (14.9)	4 (101.6)	475 (805)	49.6	24.8	19.8	1600 (727)
CPD30	30 (22.4)	5 (127)	665 (1127)	76.3	38.1	30.4	1700 (789)

Model	Recommended Vacuum Receivers, cu. ft. (l)
CPD20	3.0, 6.0 (85, 170)
CPD30	6.0 (170)

Dimensions



Model	A In. (cm)	B In. (cm)	C In. (cm)	D In. (cm)	E In. (cm)	F In. (cm)	G In. (cm)
CPD20	32 (81)	56 (142)	65 (178)	32.5 (82)	53 (134)	31 (79)	60 (167)
CPD30	38 (97)	50 (127)	85 (216)	37.25 (95)	48.25 (123)	35.75 (91)	69.3 (176)

www.colortronicna.com

Corporate Headquarters:
Colortronic North America, Inc.
4100 Market Place
Flint, MI 48507
PH: 810-720-7300
FX: 810-720-2598
colortronicweb@corpemail.com

Dimensions and data not binding. Copyright by Colortronic 2004.