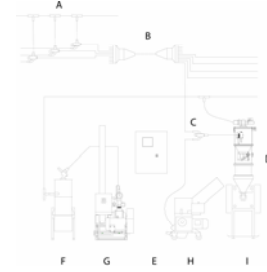


Typical Setup for a multiple vacuum conveying system.

- A Purge valve
- B Rotary valve
- C Porportioning valve
- D Vacuum receiver
- E Conveying control system
- F Central vacuum filter
- G Vacuum pump
- H Granulator
- I Processing machine



Component G is described below.

Brief Description

Application:

The Colortronic CPDB Series blowback vacuum pump features non-reversing valves with PulseJet™ Blowback and is designed to convey dusty materials and some powders over long distances. The blowback cycle cleans the filter on demand and aids in emptying the vacuum receivers. The power unit automatically cycles from load cycle to blowback with unique air directional valves without stopping and reversing the motor and blower.

Available in 25-30 hp models.

Standard Features:

- Positive displacement blower
- 460/3/60 totally-enclosed fan-cooled (TEFC) motor
- Non-reversing valve design
- NEMA-12 junction box with starter mounted on unit
- Vacuum gauge
- Mechanical high vacuum relief valve
- High vacuum safety switch
- Premium discharge silencer

Optional Features:

- Sound enclosure
- Fused disconnect
- NEMA 4 junction box
- 208/3/60, 230/3/60, 380/3/50, 415/3/50, 575/3/60 voltage
- Re-sheave power unit
- Retrofit junction box to convert old style or other manufacturers' vacuum power units to use new CPDB controllers. Specify HP and voltage when ordering.

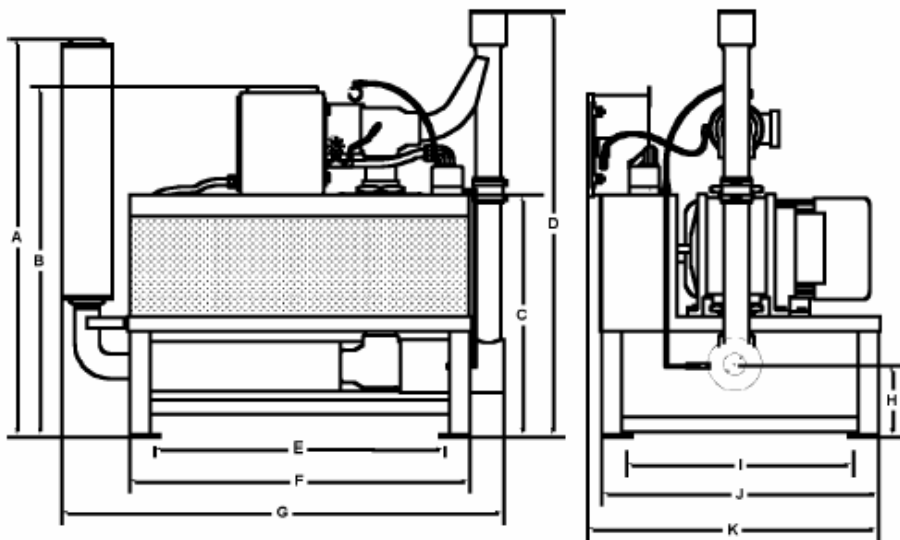


Specifications

Model	HP (kW)	Line size OD, in. (mm)	Air flow, cfm (cmh)	Amp draw 230 V	Amp draw 460 V	Amp draw 575 V	Shipping weight, lbs. (kg)
CPDB25	25 (18.7)	4.5 (4" sch 10)	570 (968)	49.6	24.8	19.8	1600 (727)
CPDB30	30 (22.4)	5" sch 10	711 (1208)	76.3	38.1	30.4	1700 (789)

Model	Recommended vacuum receivers, cu. ft. (l)
CPDB25	3, 6 (85, 170)
CPDB30	6 (170)

Dimensions



Model	A In. (cm)	B In. (cm)	C In. (cm)	D In. (cm)	E In. (cm)	F In. (cm)	G In. (cm)	H In. (cm)	I In. (cm)	J In. (cm)	K In. (cm)
CPDB25	80 (203)	60 (152)	39 (101)	74 (188)	42.5 (108)	46 (117)	65 (166)	9 (23)	31.5 (80)	35 (89)	32 (81)
CPDB30	80 (203)	60 (152)	39 (101)	74 (188)	42.5 (108)	46 (117)	65 (166)	9 (23)	31.5 (80)	35 (89)	32 (81)

www.colortronicna.com

Corporate Headquarters:

Colortronic North America, Inc.
4100 Market Place
Flint, MI 48507
PH: 810-720-7300
FX: 810-720-2598
colortronicweb@corpemail.com

Dimensions and data not binding. Copyright by Colortronic 2004.