
MSH Heavy Duty Series Granulators

Colortronic's MSH Heavy Duty central granulators are designed for high capacity central reclamation. They can granulate a wide range of plastic scrap, from low density fiber to thick, high molecular weight purgings, and can be integrated with a variety of handling equipment.

Standard Features

- High shear rotor
- Internal surfaces machined for ease of cleanout and material flow
- Heavy duty double roller bearings mounted outboard to avoid contamination
- Designed for high capacity central reclamation

Optional Features

- Water cooling
- Hardfacing
- Conveyors with amperage feedback systems
- Hog style motor with "raised" bed knife



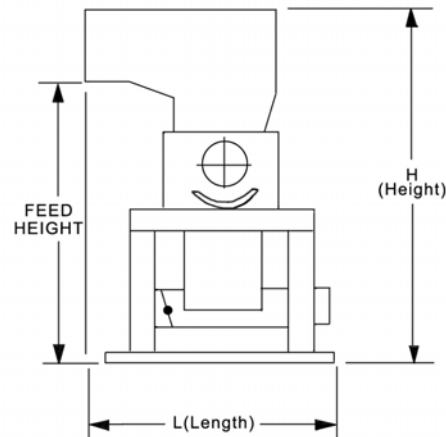
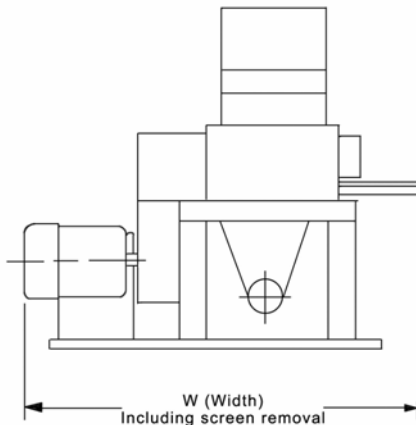
Specifications	MSH1524	MSH1828	MSH1837	MSH2050	MSH2062	MSH2072
Throat size	15" x 24"	18" x 28"	18" x 37"	20" x 50"	20" x 62"	20" x 72"
Cutting circle	14"	16"	16"	18"	18"	20"
Throughput (3/8" screen)	1000	1800	2500	3500	4500	5000
Infeed	Conveyor					
Cutting Chamber	(2) bed					
Rotor	Open 3 blade					
Rotor Knives	(3) HCHC					
Bed Knives	(2) HCHC					
Screen Diameter	3/8"					
Base	Step Type					
Discharge	Airveyor					
Motor (tefc)	75 hp	100 hp	100 hp	150 hp	200 hp	200 hp
Drive	V-belt					
Electrical Components	Safety switches wired to common junction box					
Controls	To suit voltage, 100V at operator station					
Labels	Safety labels are provided for proper operation and maintenance					
Accessories	Available upon request					
Feed Height	90"	104"	104"	112"	112"	112"
Length	53"	46"	46"	46"	46"	46"
Width	73"	117"	135"	140"	145"	171"
LxWxH (mm)	1346x1854x2718	1168x2972x3429	1168x3429x3226	1168x3556x4166	1168x383x4166	1168x4343x4166
Weight (lbs.)	6,000	7,000	11,000	15,000	22,000	26,000



Outboard mounted motor with "heavy duty" flywheel



Drop down screen cradle for access during knife change and cleanout



www.colortronicna.com

Corporate Headquarters:
Colortronic North America, Inc.
4100 Market Place
Flint, MI 48507
PH: 810-720-7300
FX: 810-720-2598
colortronicweb@corpemail.com

Dimensions and data not binding. Copyright by Colortronic 2004.