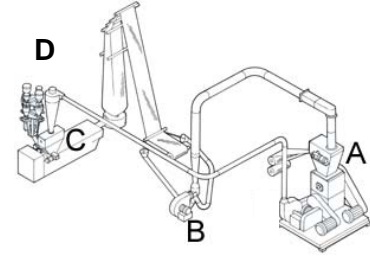


Typical Scrap Reclaim System
 A – Film Grinder
 B – Edge Trim Conveying System
 C – Fluff Feed Hopper
 D – Cyclone



Component D is described below

Brief Description

FD and FV conveying systems are used to convey ground film scrap to the fluff feed unit or storage tank. FD Series fluff blowers feature direct drive motors and FV Series blowers feature belt drive motors. The S Series cyclones can be used with fluff feed hoppers or fluff storage tanks.

FD and FV Series Fluff Blowers and S Series Cyclone Separators Equipment Selections

Blower Motor/Air Flow/Tube Size

Blower model	Blower power		Air flow		Tube diameter, OD	
	HP	kW	cfm	cmh	in. dia. O.D.	approx. mm dia. O.D.
4001FD	1	0.746	545	925	4	101.6
4002FD	2	1.492	785	1,330	4	101.6
5003FD	3	2.238	900	1,530	5	127.0
5005FD	5	3.730	1,100	1,870	5	127.0
6075FD	7½	5.595	1,400	2,380	6	152.4
6075FV	7½	5.595	1,400	2,380	6	152.4
7010FV	10	7.460	1,770	3,005	7	177.8
8010FV6	15	11.190	2,180	3,700	8	203.2

S Series Cyclone Model/Air Flow/Tube Size

Blower model	Air flow		Tube diameter, OD	
	cfm	cmh	in. dia. O.D.	approx. mm dia. O.D.
10 (S4)	300	510	3	76.2
12 (S5)	545	925	4	101.6
13 (S6)	785	1,330	4	101.6
14 (S7)	1,100	1,865	5	127.0
18 (S8)	1,400	2,375	6	152.4
24 (S9)	1,770	3,005	7	177.8
36 (S10)	2,180	3,700	8	203.2



Fluff Blowing Conveyor



S Series Cyclone

Available Blower Voltages

✓ denotes availability

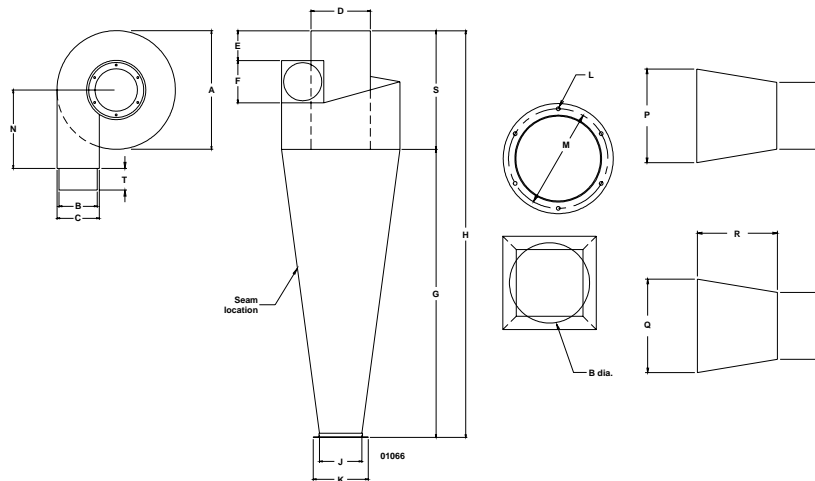
Description	Availability
Available blower voltages: • 230/3/60 or 460/3/60	No charge

Option Availability

✓ denotes availability

Option description	Availability
Manual starter on blower: <ul style="list-style-type: none"> • 1-5 HP (0.74-3.73 kW) • 7½-10 HP (5.6-7.5 kW) • 15-20 HP (11.2-15 kW) 	✓ ✓ ✓
Special voltage; specify requirements	✓

Typical Cyclone Separator and Model Dimensions



Cyclone model no.	Dimensions in inches																	
	A ⓐ	B ⓐ	C	D ⓐ	E	F	G	H	J ⓐ	K ⓐ	L ⓐ	M ⓐ	N	P	Q	R	S	T
10	9"	3"	2"	4½"	2½"	4½"	22⅜"	31⅞"	4"	6"	¼"	5⅞"	5"	4½"	4¾"	3½"	9"	4"
12	12"	4"	4"	5¾"	3½"	3½"	31"	43½"	4"	6"	¼"	5⅞"	6"	4¾"	4¾"	4½"	12"	4"
13	15"	4"	5"	8"	4"	5"	32"	47"	6¾"	9½"	5/16"	8½"	12"	5"	5"	12"	15"	4"
14	18"	5"	5¾"	9"	4¾"	5¾"	42⅛"	60¼"	6¾"	9½"	5/16"	8½"	12"	5¾"	5¾"	12"	18"	4"
18	24"	8"	9"	12"	5⅝"	9"	57¼"	81¼"	8"	10⅞"	3/8"	9½"	16"	9"	9"	16"	24"	5"
24	28"	9"	10"	14½"	7"	10"	68"	96"	10"	13"	3/8"	11¾"	14½"	10"	10"	14½"	28"	5"
36	Consult Factory																	

ⓐ Diameter dimension in inches.

Cyclone model no.	Approximate dimensions in cm																	
	A ⓐ	B ⓐ	C	D ⓐ	E	F	G	H	J ⓐ	K ⓐ	L ⓐ	M ⓐ	N	P	Q	R	S	T
10	22.9	7.6	5.1	11.4	6.4	11.4	56.8	80.9	10.2	15.2	6.35	13.0	12.7	11.4	12.1	8.9	22.9	10.2
12	30.5	10.2	10.2	14.6	8.9	8.9	78.7	110	10.2	15.2	6.35	13.0	15.2	12.1	12.1	11.4	30.5	10.2
13	38.1	10.2	12.7	20.3	10.2	12.7	81.3	119	17.1	24.1	7.94	21.6	30.5	12.7	12.7	30.5	38.1	10.2
14	45.7	12.7	14.6	22.9	12.1	14.6	107	153	17.1	24.1	7.94	21.6	30.5	14.6	14.6	30.5	45.7	10.2
18	60.9	20.3	22.9	30.5	14.3	22.9	145	206	20.3	26.5	9.53	24.1	40.6	22.9	22.9	40.6	60.9	12.7
24	71.1	22.9	25.4	36.8	17.8	25.4	173	244	25.4	33.0	9.53	29.9	36.8	25.4	25.4	36.8	71.1	12.7
36	Consult Factory																	

ⓐ Approximate diameter dimension in cm. ⓑ Approximate diameter dimension in mm.

www.colortronicna.com

Corporate Headquarters:
 Colortronic North America, Inc.
 4100 Market Place
 Flint, MI 48507
 Tel. 810-720-7300
 Fax. 810-720-2598
 colortronicweb@corpemail.com