

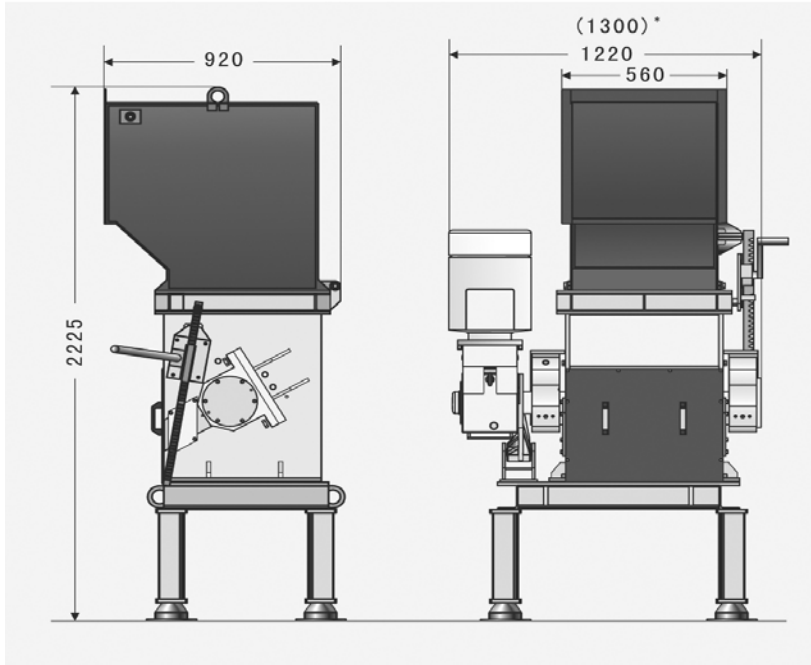
MLS Series Light Duty Shredder

The MLS Series light duty shredder is designed for processing injection and extrusion mold startup purge. It reduces material to approximately 1" to 4" when combined with a Colortronic granulator (stacked 2-stage or in-line with conveyors), and output size can range from 1/8" to 1/2". The granulator can average 150% of its stated throughputs without heavy power consumption loads (typically seen when using a granulator alone). The MLS Series standard features and benefits are listed below.

Standard Features

- 12" diameter drum style rotor provides efficient cutting of various process scrap.
- Low speed rotor (72 rpm) transmits high cutting torque for tough applications.
- The low speed cutting action reduces noise levels.
- Standard rotor is fabricated using abrasion-resistant steel for long life in high wear applications.
- Four-edge 1.3" (34mm) reversible cutters with bolt-in replaceable knife seat for easy maintenance.
- Heavy duty self-aligning outboard mounted bearings that reduce the possibility of material contamination.
- Double wall manual feed hopper that can be positioned for feeding through front, back, or side of machine.
- Tangential feed hopper for easy ingestion of material without the need of a hydraulic ram.





Specifications	
Model	600+
Feed Opening, in. (mm)	26x26 (650x650)
Rotor Dia., in. (mm)	12 (310)
Rotor Width, in. (mm)	24 (600)
Rotor Speed, rpm	72
Number of Rotor Knives	26
Drive Capacity, hp (kW)	15 (11)
Rotor Speed, rpm	60



Standard hardened rotor with replaceable cutters and cutter seats designed for processing thicker sections of startup purge and blow molding flash.



Direct drive shredder style rotor to reduce startup purge and flash to less than 4" particles that can be granulated by beside-the-press granulators.