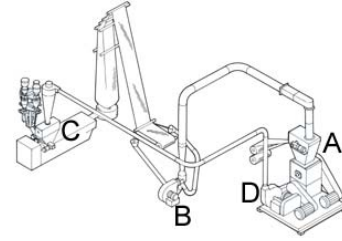


Typical Scrap Reclaim System

- A – Film Grinder
- B – Edge Trim Conveying System
- C – Fluff Feed Hopper
- D – Cyclone



All components described below

Brief Description

Colortronic's film scrap reclaim systems can reduce your costs by grinding scrap and conveying it directly back into your extruder. This process offers numerous advantages over repelletizing. Scrap is restored to its original feedstock value, and no additional heat history is added to the material. Repelletizing costs, which often run \$0.15 - \$0.25 per pound are eliminated, and scrap inventory is reduced or eliminated.

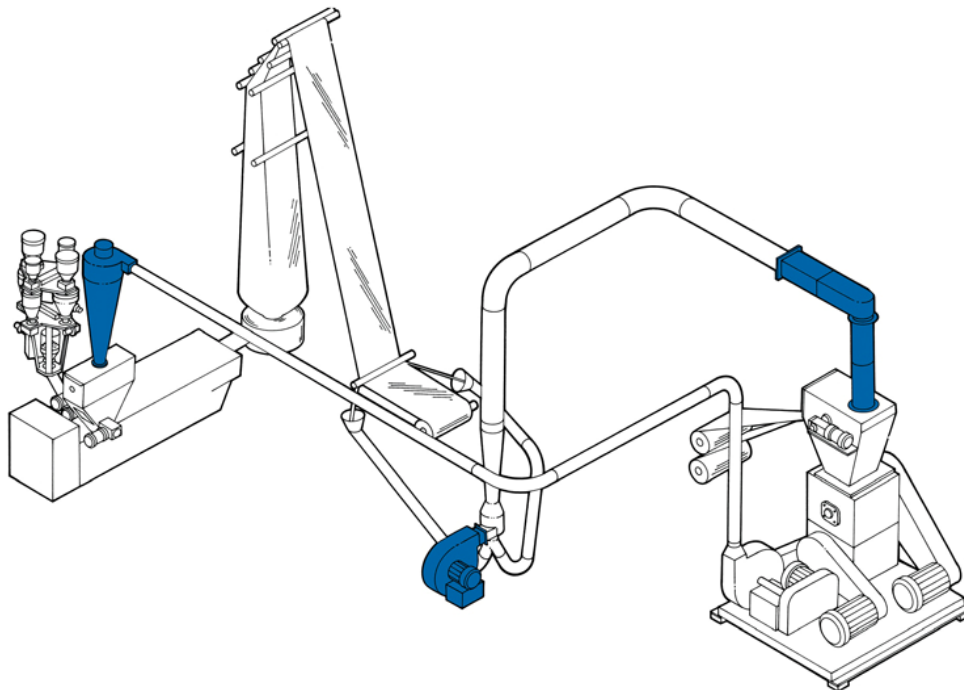
Film Scrap Conveying Systems

Colortronic's edge trim conveying systems are designed to convey edge trim to the grinder. An additional blower mounted on the grinder conveys fluff back to the extruder.

A typical conveying system consists of two bellmouth pickups for the edge trim, one Y-tube to connect the venturi inlet on the blower, a trim blower, cyclone, edge trim air exhauster (mounted on grinder), and fluff conveying blower (included with grinder).

Basic Version

- Interconnecting tubing, bends, and couplers
- Dual inlet edge trim air exhauster
- Manifold with additional bellmouth pickup for center trim
- Inlet silencer for blower
- Sound enclosure for blower
- Special voltage



Fluff Feed Hoppers

Colortronic fluff feed hoppers are designed to feed a percentage of the fluff directly back into the extruder throat. The unique dual-stage design ensures that the fluff is mixed with the virgin material above the extruder throat. Each auger is independently adjustable and can be set to follow the extruder screw speed by monitoring a tachometer signal from the extruder.

The CTE unit is designed to re-feed edge trim only. The CTFH will handle up to 30% of the edge trim and/or scrap. The CTFH-HP is designed for those applications where scrap re-feed greater than 30% is common.

Models	CTE	CTFH	CTFH-HP
Patented dual-stage fluff feed	X	X	X
Metering slaved to extruder speed	X	X	X
Isolation circuitry	X	X	X
Independent auger drive control	X	X	X
Exclusive auger design to ensure thorough mixing	X	X	X
Access door in hopper for cleaning	X	X	X
Optical level sensor (w/ blow off kit) in fluff supply hopper	Optional	X	X
Access door in feed tube for cleaning	Optional	Optional	X
DC drive motors	X		
Brushless AC inverter duty motors		X	
Brushless AC flux vector drive motors			X

Basic Version

- Patented dual-stage fluff feed assembly
- Metering and mixing is slaved to the extruder via signal isolation circuitry
- Independently adjustable horizontal and vertical drives precisely control fluff metering and homogenous mixing of the pellet/fluff mixture at the extruder throat
- Exclusive vertical auger design provides thorough mixing to assure constant extruder screw pressure and improved gauge control, resulting in better product
- CTE units equipped with DC motors
- CTFH units equipped with inverter duty AC motors and ammeters



**High-Performance CTFH-HP Models
Handle the Toughest Film Conditions**

- High-performance vertical feed auger incorporates vertical compaction and mixing to allow the maximum fluff re-feed percentages possible
- Heavy-duty re-feed pedestal
- Vertical slide-access door on pedestal for easy cleaning
- Brushless AC Flux vector drive motors:
 - 150% torque rating, full torque @ 0 RPM, stall torque to 150% @ 0 RPM for 1 minute
 - Built-in (internal) overload protection and electronic reversing
 - Adjustable acceleration and deceleration
 - Programmable auto-restart

Models	CTE	CTFH	CTFH-HP
Extruder Size, in (mm)	2.5 (60)	3.5-8 (90-200)	4.5-10 (115-250)
Fluff Re-Feed Amount	< 20%	< 30%	> 30%

Film Reclaim Grinders

Colortronic film grinders are designed to handle a wide range of materials and can be equipped with feed roll assemblies for automatic feeding of scrap roll stock.

Basic Version

- Heavy-duty single or dual cutting chamber
- High-shear, slant-angle scissor cut design for trouble-free operation
- Machined plate cutting chambers
- Outboard-mounted bearings with shaft scraper blades to eliminate failure caused by material contamination
- Clear window on the cutting chamber for constant process monitoring

Accessories and Special Options

- Feed roll assembly
- Hand-feed chute
- Edge trim air exhauster
- Flywheel for heavy hand feeding
- Sound enclosure
- Carbide-coated blades
- Remote mount control panel
- Special Voltage

Feed Roll Assembly

- Both upper and lower rolls are driven
- "Doctor" blade on lower roll reduces wrapping
- Hinged front door with clamp for easy access
- Hinged feed roll box with clamp for easy cleaning
- Pneumatic cylinders on models 20 and 30
- Angled feed roll geometry helps feed thicker films
- Steep wall grinder chute improves scrap feed
- Safety switches on all hinged and accessible components
- Exclusive feed roll undercut knurl design reduces wear
- DC drive with heavy-duty hollow shaft gearbox



Our dual cutting chamber film grinders feature high-performance dual-stage design, perfect for tough applications such as high speed cast film lines. Scrap film first passes through a primary upper cutting chamber, then through a secondary lower chamber with a smaller screen. The dual chamber grinders provide high throughputs and higher bulk densities with less heat generation and screen blinding. They are excellent for tacky, heat-sensitive materials like LLDPE and PVC. The dual chamber design permits very high line speed edge trim because the top chamber stays activated to enable efficient ingestion of materials.

- Notes -

www.colortronicna.com

Corporate Headquarters:

4100 Market Place

Flint, MI 48507

Tel. 810-720-7300

Fax. 810-720-2598

colortronicweb@corpemail.com

Dimensions and data not binding. Copyright by Colortronic 2005.